

A SIMPLE CARBURETTOR :-

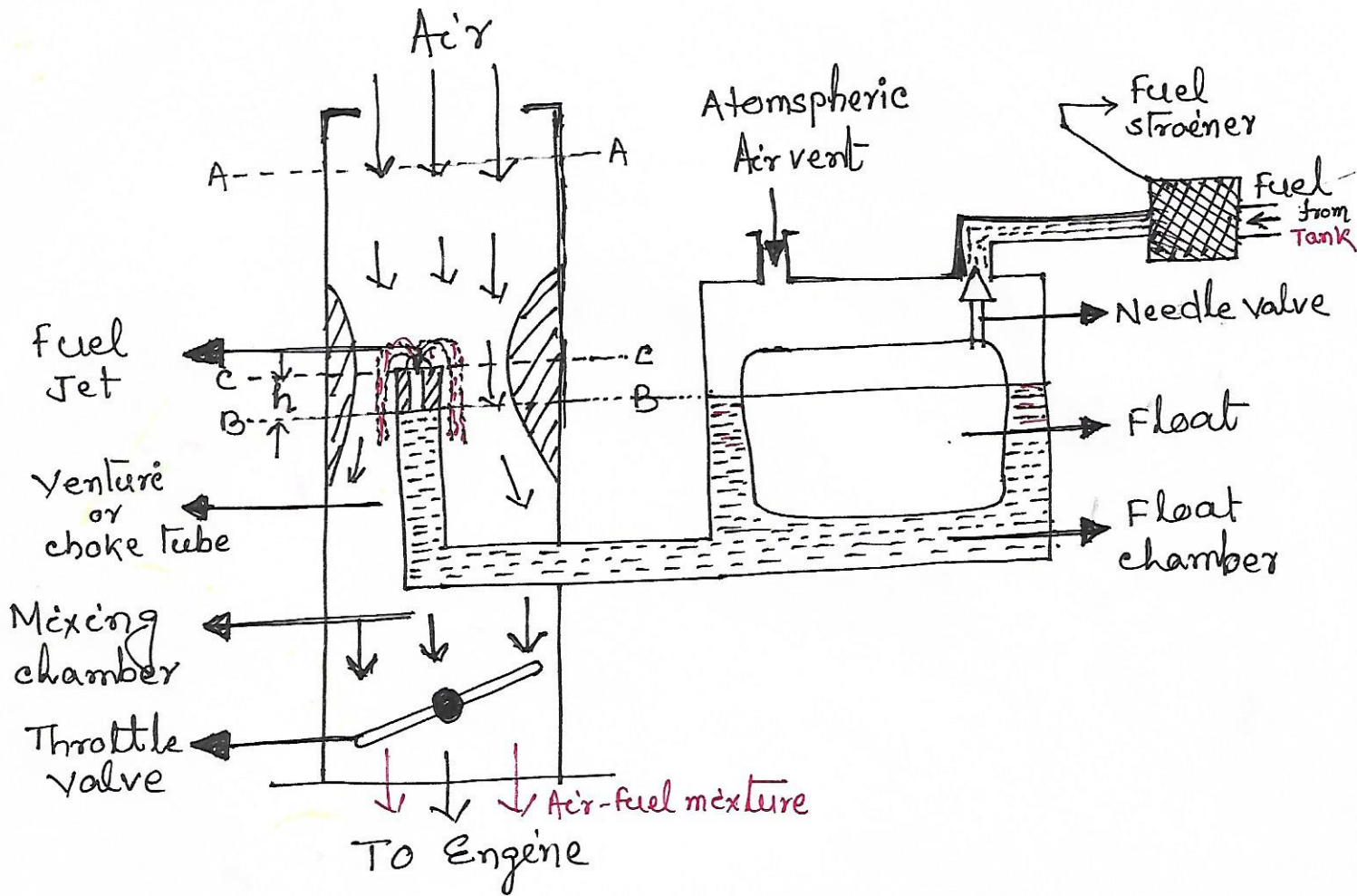


Fig. A : A Simple Carburettor (elementary)

Where,

plane A-A \longrightarrow represents entry of Air to the Venturi tube.

plane B-B \longrightarrow represents level of fluid in Float chamber

plane C-C \longrightarrow represents level of fuel nozzle tip.

Height h \longrightarrow Height of ^{fuel} nozzle tip above the fluid level (Tip/Level of the nozzle)